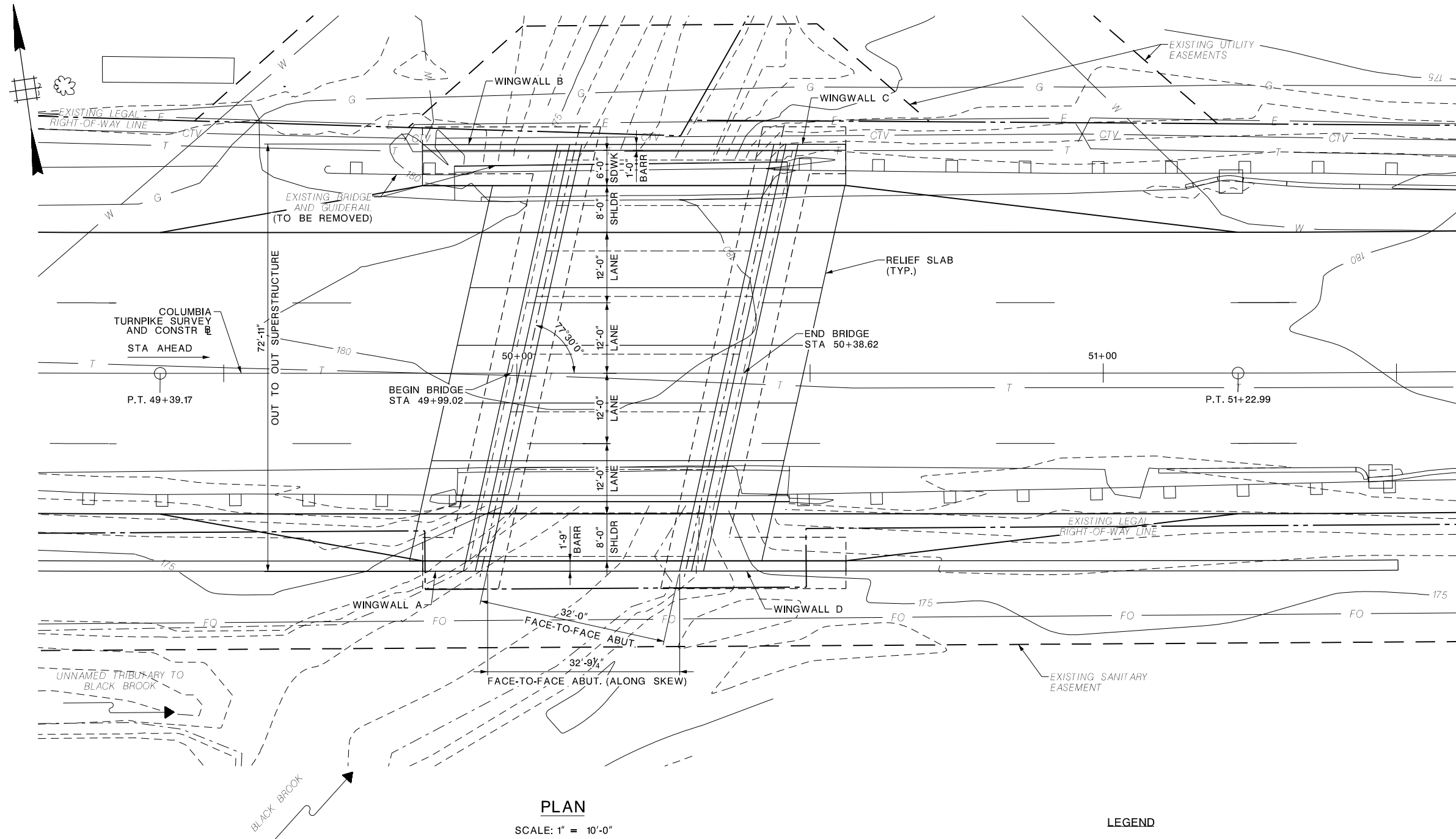


STATE	FEDERAL PROJECT NO.	SHEET	TOTAL SHEETS
N.J.	-	-	-
STRUCTURE NO.			
STRUCTURE NAME -			

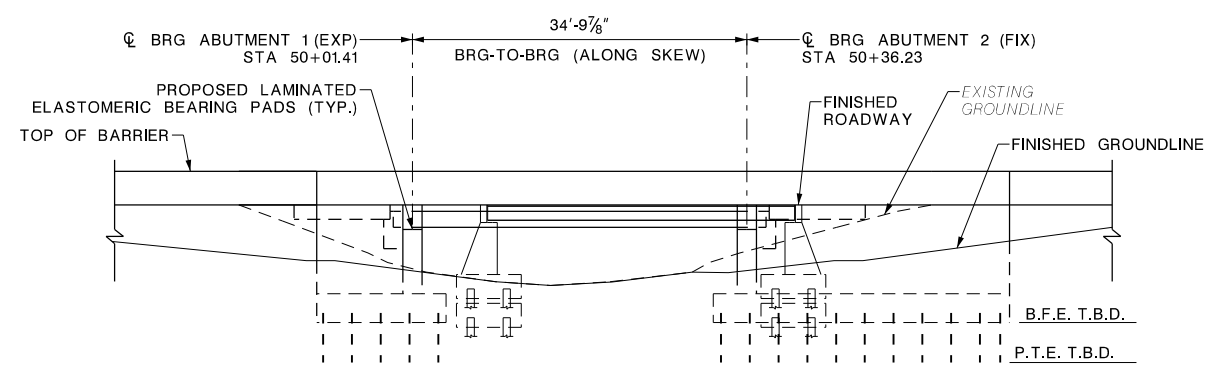


PLAN

SCALE: 1" = 10'-0"

LEGEND

- 185 --- EXIST CONTOUR (INTERVAL = 1')
- W EXISTING WATER LINE
- G EXISTING GAS LINE
- T EXISTING TELEPHONE LINE
- CTV EXISTING CABLE TELEVISION LINE
- FO EXISTING SANITARY LINE
- E EXISTING ELECTRIC LINE
- EXISTING LEGAL RIGHT-OF-WAY



ELEVATION

SCALE: 1" = 10'-0"

DATUM: EL. 150.00

FILE NAME: \$FILE\$	CONTROL SECTION	JOB NO.
TIME: 8:18:27 PM	DES. BY	CHK. BY
DATE: 11/27/2018	DWN. BY	
USERNAME: \$LOGIN_NAME\$	IN CHARGE OF	

REVISION	BY	CK'D	DATE

MORRIS COUNTY

GENERAL PLAN AND ELEVATION

STRUCTURE NO.
COLUMBIA TURPIKE OVER BLACK BROOK

BOROUGH OF FLORHAM PARK
TRANSYSTEMS CORPORATION, INC.

MORRIS COUNTY
NEW JERSEY

BRIDGE SHEET NO. ____ OF ____